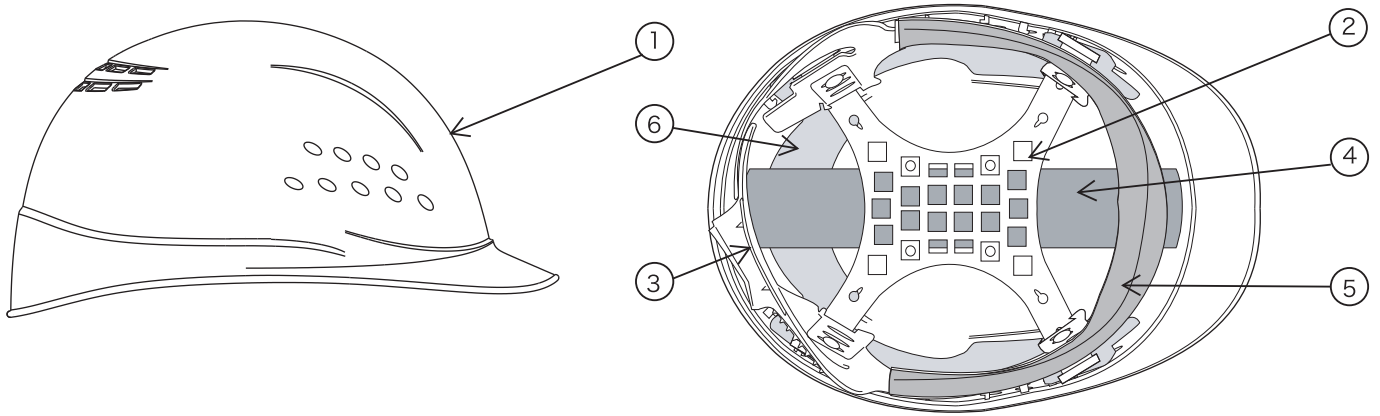
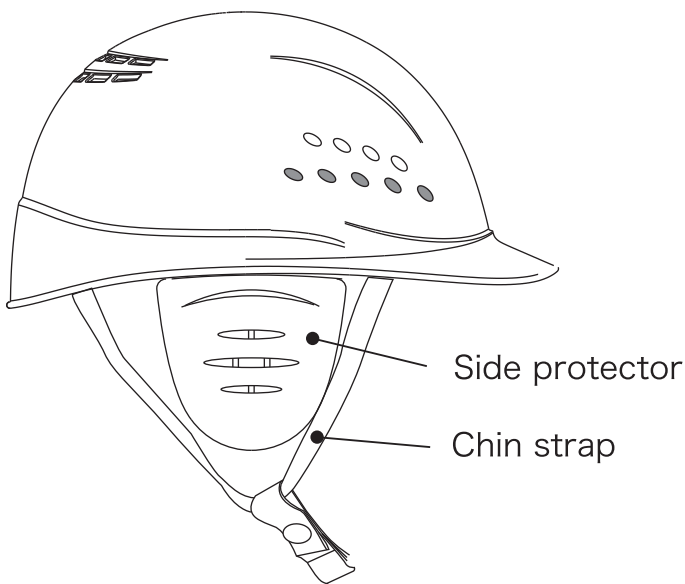


Material



- | | |
|-----------------------|-----------------------|
| 1.Shell | Polyethylene |
| 2.Hammock | Polyethylene |
| 3.Head band | Polyethylene |
| 4.Shock absorbing pad | Expanded polyethylene |
| 5.Sweatband | Nylon |
| 6.Inner plate | Polyethylene |

When optional Side protector is installed



- | |
|-------------------------------|
| 1.Polyethylene |
| 2.Polyacetal |
| 3.Polyethylene |
| 4.Polypropylene multifilament |
| 5.Polyethylene |

Chin strap

Side protector (Optional)

